

Master Quiz for Archery

Must be turned in by time required to participate in the Knowledge

Name: _____

Circle the correct answer.

1. True/False: The Belly or face is the side of the bow away from the archer, when shooting.
2. True/False: On a three fletched arrow, the term index refers to the two feathers that face the bow riser as the arrow is laid on the arrow rest on a long or recurve bow.
3. True/False: The term Peeking refers to watching the arrow fly to the target, instead of concentrating on the target.
4. True/False: Safety is the most important thing for a beginning archer to learn?
5. True/False: Shield and Parabolin are terms referring to the two most common cuts used for fletching.
6. True/False: To creep is to let the arrow slide forward on the arrow rest before releasing.
7. True/False: The butt or mat is the cardboard to which a target is glued.
8. True/False: Freestyle is a tournament classification in which the use of a sight is not allowed.
9. True/False: The term skirt refers to the paper on the target that is outside of the scoring area.
10. True/False: A round is the designated number of arrows shot before each interval of scoring and pulling.
11. True/False: A clout is an object, such as a cloth, that is placed on a stake as a mark for long-range shooting.
12. True/False: Fistmele is the term that refers to the distance between the bowstring and the bow handle when the archer is at full draw.
13. True/False: The term petticoat refers to the portion of the target outside of the scoring area.
14. True/False: In field archery the archer shoots at 14 different targets and distances.
15. True/False: "X"-Ring on a target is used as a tiebreaker.
16. True/False: Set is the opportunity to get the fundamentals right, establish a good grip on both the bow and the string, and relax the body to execute the shot.
17. True/False: The term bowyer refers to a maker of bows.
18. True/False: The tem drift refers to an archer's natural tendency to sway when preparing to shoot.
19. True/False: The term brace refers to the time between the release of an arrow and when it hits the target.
20. True/False: An arrow plate is a piece of material that is glued to the side of the bow at the point where the arrow contacts it. The arrow plate provides protection for the bow from the friction of the arrow.

Master Quiz for Archery

Fill in the blank

21. What is the most important thing for a beginning archer to learn?

22. What is worn on the bow hand when shooting an old English longbow to protect the hand from being cut or scraped?

23. At full draw, what side of the bow is facing the archer?

24. What is the name of the device used to hold arrows - sometimes attached to the bow, sometimes worn on the back or at the side, and sometimes standing on the ground?

25. Which part of the arrow snaps onto the bowstring?

26. What is the name for the body of the arrow?

27. What is glued onto the arrow body forward of the Nock?

28. What is the term for an archer's attempting to shoot a heavier weight bow than he can comfortably hold at full draw?

29. What are the long, slender, bendable parts of the bow, which extend upwards and downwards from the handle portion?

30. What is the name for the notches in both ends of the recurve bow into which the string fits when the bow is braced?

31. What is another name for the face of the bow?

32. At full draw, what side of the bow is toward the target?

33. What is on the bowstring to make sure the archer snaps the arrow onto the same place each time?

34. In the field, away from permanent props, what is the safest way to brace a recurve bow?

35. What is the word for placing the bowstring and fingers firmly against some part of the face at full draw?

36. What is the name for the very top and very bottom of a recurve bow?

37. Name the type of bow that is missing from this list of bows: compound, straight, reflex, cross, and longbow?

Master Quiz for Archery

38. In FITA scoring, does an arrow, which cuts the line completely but does not enter the color, get the higher or lower value?

39. What sport uses bows and arrows?

40. What is rubbed into the bowstring to keep it from fraying?

41. Should the fingers of the bowhand grip the bow tightly?

42. If an archer's arrows are grouping below the ten ring, in which direction should the sight be moved?

43. If an archer's arrows are grouping to the left of the ten ring, in which direction should the sight be moved?

44. The body of the arrows may be made from aluminum, fiberglass, and carbon. What is another material that arrows are made from?

45. Plastic is a material that is used to make vanes. What material are fletchings made from?

46. Give the name for the fletching that is at a right angle, on a recurve bow, to the string on a three fletched arrow.

47. For most long bows, the arrow is shot off of what part of the bow?

48. What is shot from a bow?

49. Is FITA a local, national, or international archery organization?

50. What is the term for an archer allowing his drawing hand to move forward of his usual releasing point before he looses the bowstring?

51. At a shoot, what is the term for the designated number of arrows shot before each interval of scoring and pulling?

52. In what style of shooting is a sight used?

53. What type of bow works on a pulley system?

54. What is the term for the stiffness of an arrow?

Master Quiz for Archery

55. When shooting with more than three people, who gives the all-clear signal, to retrieve the arrows from the target?

56. What is on the end of the arrow that is shot into a target?

57. What device is sometimes placed on the bowstring to let the archer feel the string is being brought to exactly the same place on the lips at full draw?

58. What is cut out of the riser that allows the shooter to see the target?

59. English knights used what type of bow?

60. What is the name for the action created when the archer's drawing fingers move sideways, away from the face, while releasing?

61. On a concentric or ringed target, what is the term for the paper outside the scoring area?

62. What is worn on the arm of the hand holding the bow to protect the archer from a possible slap by the bowstring?

63. How many points are received for an arrow that hits the inner gold ring of a 122 cm (48") FITA target face?

64. How many points are received for an arrow that hits the outer white ring of a 122 cm (48") FITA target face?

65. In FITA scoring, does an arrow that touches the line completely but does not enter the color, get the higher or lower value?

66. Why is a recurve bow not stored in the same condition (shape) as it is shot?

67. If an archer's arrows are grouping above the ten ring, in which direction should the sight be moved?

68. If an archer's arrows are grouping to the right of the ten ring, in which direction should the sight be moved?

69. What is the name for the identifying bands of color on an arrow body?

70. What is a point on the archer's face, chin, or cheek to which the archer habitually draws the bowstring back to before shooting?

71. At what draw length is the weight of most recurve and straight bows figured?

Master Quiz for Archery

72. What part of an arrow touches the bowstring?

73. What is worn to protect an archer's arm from the bowstring as it moves forward after the release?

74. In what style of shooting is a sight not allowed?

75. What is the name of the reinforcing wrapping at the points of greatest wear on the bowstring?

76. How many points are received for an arrow that hits the inner gold ring of a 60 cm (24") FITA target face?

77. How many points are received for an arrow that hits the outer white ring of a 60 cm (24") FITA target face?

78. List the "Steps of Shooting" in order.

79. List the "Steps of Shooting" in order, choose from the words below.

Set	Anchor	Stretch	
Stance and Posture	Release	Nocking the Arrow	Set-Up
Poise	Follow-Through	Draw/Load	Cocoa
Score	Aim-Expand	Transfer/Hold	Relax

Master Quiz for Archery

80. Name the two materials of which fletching of most arrows are made of.

81. Name four materials that arrow shafts are made of:

82. What is a spine?

83. What is worn to protect an archer's fingers from the bowstring as the archer shoots the arrow?

84. What is trajectory?

85. What is a "900 Round"?

86. While watching others shooting, why is it important to stay behind the "shooting line" while other archers are shooting?

87. To hold the bow tilted or slightly turned while shooting is called what?

88. Name four pieces of safety equipment used in archery.

89. Name six types of arrows? Not the materials that make them.

90. Why should you use a nock locator?

91. What are the four main components of a bowstring for a recurve bow?

Master Quiz for Archery

92. What is the term "Point Blank"?

93. What is the term "Roving"?

94. How many points are received for an arrow that hit the outer blue ring of a 122 cm (48") FITA target face?

95. What is the term "Barbs"?

96. What is the term "Self-Bow"?

97. What is the term "Over-strung"?

98. What is the term "Cast"?

99. What is the term "Kick"?

100. How many points are received for an arrow that hits the inner black ring of a 122 cm (48") FITA target face?

Master Quiz for Archery

Multiple choice

101. What can you learn through an Archery Project in 4-H?
 - a. To select and care for a suitable bow and arrows.
 - b. To shoot a bow and arrows accurately and safely.
 - c. To enjoy archery as a sport.
 - d. All of the above.
102. What is it called when the arrows make a close clustering on the target?
 - a. Fistmele
 - b. Tight
 - c. Loose
 - d. Grouping
103. Which is not a bow?
 - a. Long bow
 - b. Recurved bow
 - c. Compound Bow
 - d. Reflexed Bow
 - e. All of the above are bows
104. What is the step known as "Set" in the Steps of Shooting?
 - a. It is the third step
 - b. Set your Bow hand on the grip using only the web and the meaty part of your thumb.
 - c. Set the first groove of your fingers around the bowstring creating a hook.
 - d. All of the above
105. Who is responsible for your safety on the archery range?
 - a. The range master
 - b. The archer next to you
 - c. Your parents
 - d. You alone
106. Two blasts on the whistle means to
 - a. Stand behind the shooting line
 - b. Pick up your bow and stand behind the shooting line
 - c. Straddle the shooting line
 - d. Pick up your bow and straddle the shooting line
107. Which part of the arrow rests on the arrow rest, when shot?
 - a. Point
 - b. Shaft
 - c. Fletching
 - d. Nock
108. Should the fingers of the bow hand grip the bow tightly?
 - a. Yes
 - b. No

Master Quiz for Archery

109. What is the name for identifying bands of color on an arrow body?
- Shaft
 - Nock
 - Crest
 - Fletch
110. How many steps are there in the "Steps of Shooting"?
- 10
 - 5
 - 14
 - 9
111. If an arrow touches the line but does not enter the next color, what score does it receive?
- Zero
 - Next Higher Point
 - Ten
 - Lower Point
112. Is it more important to listen to your Parents and Friends or the Range Master when shooting your bow?
- Parents and Friends
 - Range Master
113. What type of arrow is designed for use with straw target butts?
- Field
 - Hunting
 - Target
 - Flu-Flu
114. What does three blast of the whistle mean?
- Pickup an arrow and shoot
 - Step up to the shooting line and pickup your bow
 - Retrieve your arrows
 - Stop shooting Emergency
115. What is the last step in the "Steps of Shooting"?
- Retrieve arrows
 - Release
 - Follow Through
 - Score
116. Assuming there are no emergencies, what is the order of whistle blasts an archer hears from the time he/she steps up to the line to the time he/she retrieves his/her arrows?
- 2-3-1
 - 2-1-3
 - 3-2-1
 - 1-2-3

Master Quiz for Archery

117. When shooting, what step to the 10-Ring requires you to focus your eyes and your concentration on the center of the target, looking past the string and through the sight ring?
- Looking
 - Cant
 - Aim
 - Peeking
118. What is the purpose of an "End Loop" on a recurve bow?
- What an archer places on his/her bow hand to hold on to the bow with.
 - The part of the string that fits over the bow notch.
 - Part of the string that protects the cable guide on a Compound bow.
 - None of the above.
119. What name is used to describe a person that loves studies and practices archery?
- Historian of archery
 - An archery nut
 - Toxophilite
 - None of the above
120. What purpose does the fletching serve on an arrow?
- Assist in flight control
 - Provides stability
 - Causes drag
 - All of the above
121. When releasing an arrow, what do you want to do?
- Move your bow hand
 - Watch your arrow fly to the target
 - Talk to your neighbor
 - Continue focusing on the target
122. What gives a compound bow its ability to cast an arrow?
- Cams
 - Limbs
 - Riser
 - String
123. When arrows are grouped on the target above and left of the 10 ring, which direction should the archer move the bow sight?
- Lower and to the left
 - Higher and to the right
 - Lower and to the right
 - Higher and to the left

Master Quiz for Archery

124. Which method is dangerous and should never be used for stringing and unstringing a bow?
- Wall stringers
 - Bow stringer cord
 - Box stringer
 - Push-Pull method
125. Risers are made from what material?
- Wood
 - Castings of aluminum alloys
 - Plastics
 - All of the above
126. What is the purpose of the “string serving”?
- A wrapping of thread around the bowstring at points of nocking to prevent wear.
 - The wrapping of material around the loops and center of the bowstring to protect from wear.
 - Protective wrapping of string material around the bowstring to prevent wear.
 - All of the above
127. Why is a recurve bow not stored in the same condition as it is shot?
- The bow would take a permanent set
 - The string might break the next time the bow is shot
 - The limbs will break the next time the bow is shot
 - This is an incorrect statement, a bow should always be stored in the same condition as it is shot.
128. What is rubbed into the bowstring to keep it from fraying?
- Gum
 - String Wax
 - String Glue
 - Vaseline
129. What is a butt or mat?
- Target
 - What you stand on
 - What a target is placed on to shoot arrows at
 - The cardboard the target is glued to
130. All of the following are characteristics of a compound bow except:
- It lets off in draw weight 0% to 85% from its “peak” weight to its holding weight.
 - It is the fastest and easiest to hold at full draw.
 - It is the simplest bow made
 - It involves a system of pulleys and is made with either 2 or 4 wheels

Master Quiz for Archery

131. Which of the following are safety items an archer should use when shooting a bow?
- Finger Tab
 - Arm Guard
 - Quiver
 - All of the above
132. What type of arrow is designed for shooting at stumps?
- Field
 - Hunting
 - Target
 - Flu-Flu
133. What is overdraw?
- Drawing over a picture
 - Drawing an arrow that is too short
 - Drawing a bow that is too long
 - Drawing a bow that is too short
134. If an archer's arrows are grouped below the 10-Ring, in which direction should the sight be moved?
- Up
 - Left
 - Down
 - Right
135. Which of the following is an ANCHOR POINT?
- The String & String Hand felt against your jawbone.
 - Lightly touch the string to the center of your nose.
 - Bare bow shooter string hand middle finger touches the corner of your smile.
 - All of the above.
136. The force (strength) required to draw the bow, the length of the arrow, usually 28 inches is called what?
- Overbowed
 - Bow Weight
 - Kick
 - Trap
137. What is the fourth step in the "Steps of Shooting"?
- Set-Up
 - Release
 - Follow Through
 - Draw/Load

Master Quiz for Archery

138. What does six whistle blasts mean.
- Retrieve arrows
 - Same as five whistle blasts
 - Cocoa time
 - Relax
139. When shooting a round of 3 arrows per end with 10 ends at a 10-ring target. What is a perfect score?
- 100
 - 300
 - 270
 - 600
140. In what year did the National Archery Association begin?
- 1947
 - 1835
 - 1879
 - 1903
141. An archer should be able to hold a full draw for _____ second aiming period
- 1-3
 - 3-5
 - 7-10
 - 12-15
142. Which of the following materials is not used for making target arrows?
- Fiberglass
 - Carbon
 - Cedar
 - All of the above materials can be used for making target arrows.
143. Which of the following statements relate to the ninth step in the "Steps of Shooting"?
- Begin a slight expansion from the center of your chest as you allow the string to leave your fingers, pushing them out of the way.
 - Bring your elbow directly behind the arrow
 - At full draw, shift the remaining bow weight from your arms into your back by moving the draw scapula towards the spine.
 - Feel the power in your back.
144. Which is not a type of aiming or method for aiming and shooting at a target?
- Point of Aim
 - Instinctive shooting
 - Sight shooting
 - None of the above

Master Quiz for Archery

145. When arrows are grouped on the target under and left of the 10 ring, which direction should the archer move the bow sight?
- Lower and to the left
 - Higher and to the right
 - Lower and to the right
 - Higher and to the left
146. Which is not a safety or range rule?
- Know and obey all commands.
 - Keep your arrows in your quiver until you are told to shoot.
 - Always wear your arm guard and finger tabs.
 - Only use your arrows that are matched for you and your bow.
 - Talk all you want to your friends and family.
 - Always keep your arrows pointed down or towards the target.
 - If you drop an arrow, leave it on the ground until you are told to get your arrows.
 - Always walk on the range.
147. The standard AMO Bow weight is noted in pounds at what draw length in inches?
- 28
 - 30
 - 20
 - All of the above
148. What type of sling is used to prevent the bow from falling to the ground after an archer shoots his/her arrow?
- Bow sling
 - Finger sling
 - Wrist sling
 - All of the above
149. What is a bare shaft?
- A shaft without fletchings, nock or point
 - An arrow used to shoot at bears
 - An arrow without fletchings
 - An arrow without a crest
150. What is the first step in the "Steps of Shooting"?
- Retrieve arrows
 - Release
 - Follow Through
 - Stance and Posture
151. What is the heavier mid-portion of the bow?
- Riser
 - Shaft
 - Face or Belly
 - Limbs

Master Quiz for Archery

152. Modern recurve bows were invented in the year
- 1363 when all Englishmen were required to practice archery on Sundays and holidays.
 - 1844 when the first English National Championship was held.
 - 1953 by Bear Archery
 - 1995 when it was included in the World Target Archery Championship for the first time.
153. Which is not an archery program?
- NAA
 - NFAA
 - FITA
 - JOAD
 - NANTS
154. Stabilizers are used to provide?
- To provide a nicely balanced, smooth feeling bow; which is easy to get an arrow on to the target.
 - To increase the moment of inertia to reduce the possibility of torque affecting the arrow flight.
 - To cut down vibration during and after the shot.
 - All of the above
155. Fishtailing, minnowing, porpoising are archery terms that describe what?
- Arrow moving left and right when shot.
 - Poor tuning of the arrow and the bow.
 - Arrow moving up and down when shot.
 - None of the above.
156. Which of the following arrows is not correctly matched with the picture?
- Target arrow



- FLU-FLU



- Field



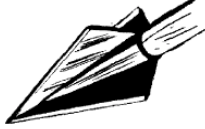
Master Quiz for Archery

157. Which of the following arrowhead is correctly matched with the picture?

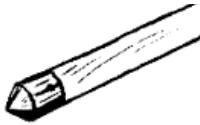
a. Target Head



b. Broad Head



c. Field Head

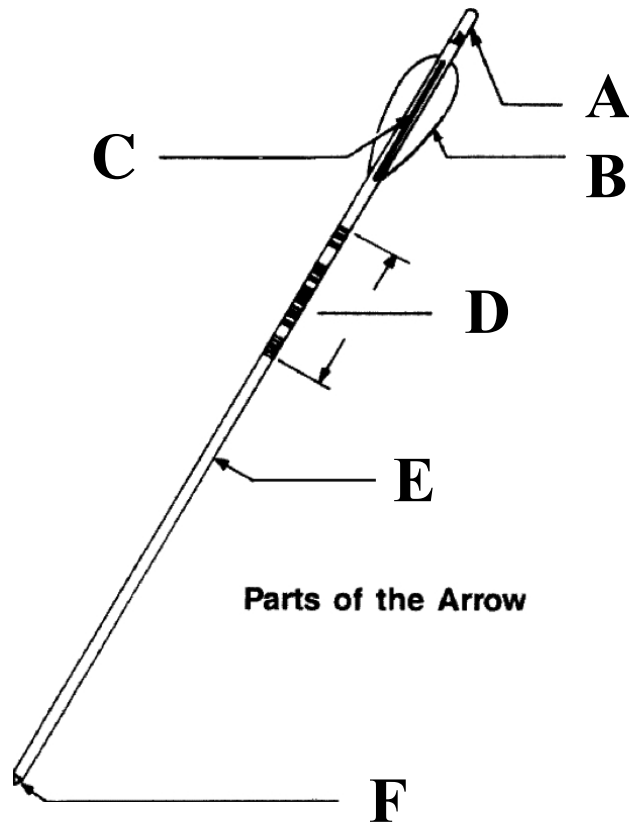


158. Draw a line from the type of arrow used to the sport the arrow is mostly used in.

- | | |
|-----------|---------------|
| • Flight | Clout |
| • Target | 900 Round |
| • Field | Animal Round |
| • Hunting | Big game hunt |
| • Flu-Flu | Bird & Rabbit |

159. Compound bows were invented in which year?

- a. 1967
- b. 1944
- c. 1953
- d. 1975



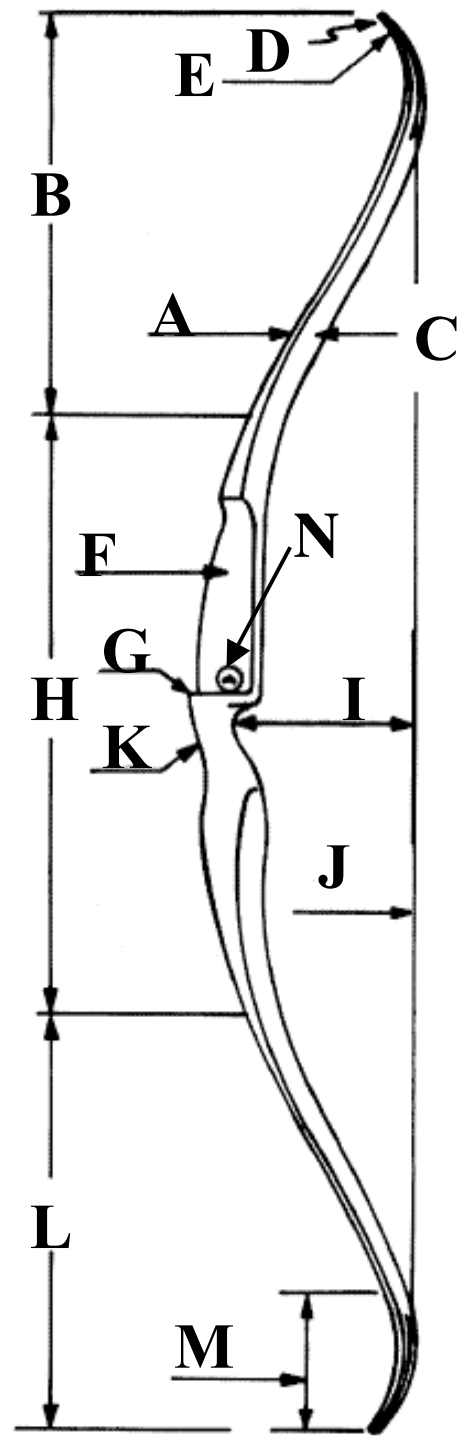
160. Place the correct letter next to the names in this area.

- Point _____
- Nock _____
- Crest _____
- Fletch _____
- Index Vane _____
- Shaft _____

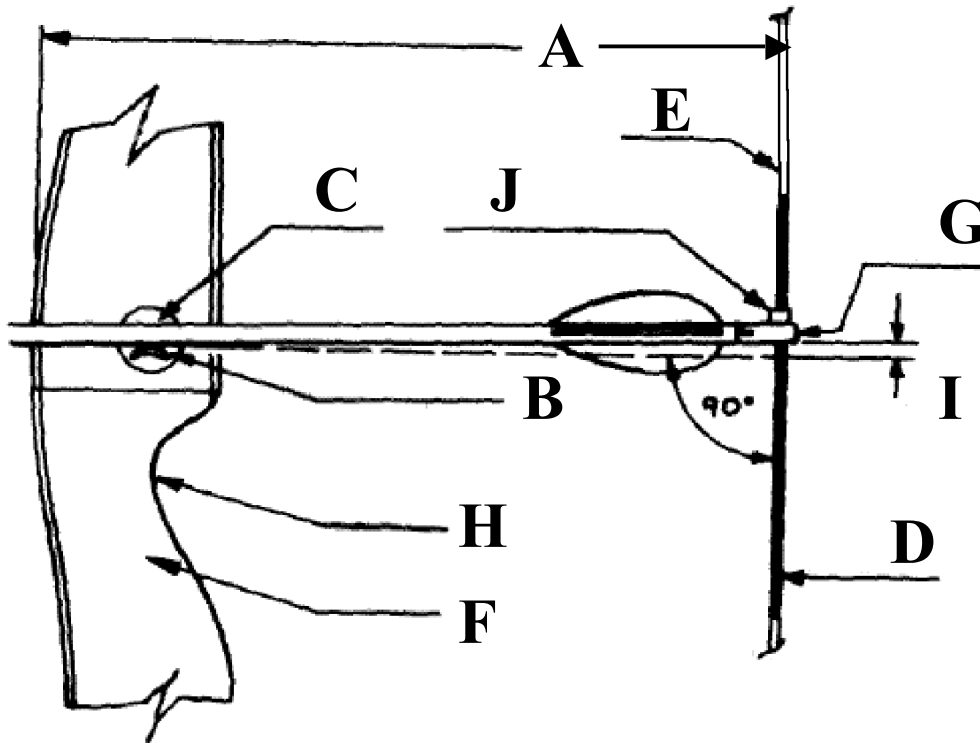
161. Place the correct letter next to the names in the boxed area.

- | |
|----------------------|
| Face _____ |
| Back _____ |
| Tip _____ |
| Upper Limb _____ |
| Shelf _____ |
| String _____ |
| Lower Limb _____ |
| String Notch _____ |
| Grip or Handle _____ |
| Riser _____ |
| String Height _____ |
| Recurve _____ |
| Sight Window _____ |
| Arrow Rest _____ |

Parts of the Bow



162. Place the correct letter next to the names in the area below the picture.



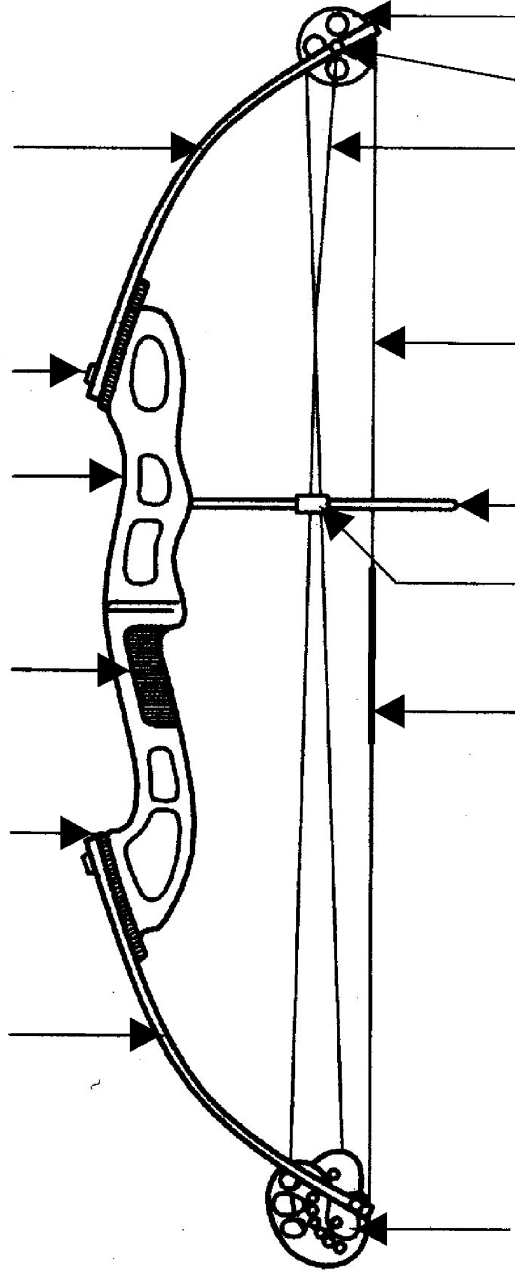
Proper placement of the arrow on the bow

Finger Tab _____	Arrow Rest _____
Arrow Plate _____	Fletch _____
Range Master _____	Nock Locator _____
Shaft _____	Recurve _____
Nocking Point _____	Sportsmanship _____
String Notch _____	Nocking Height _____
String _____	Tip _____
Handle _____	String Serving _____
Riser _____	Arrow _____
Pivot Point _____	Draw Length _____

Master Quiz for Archery

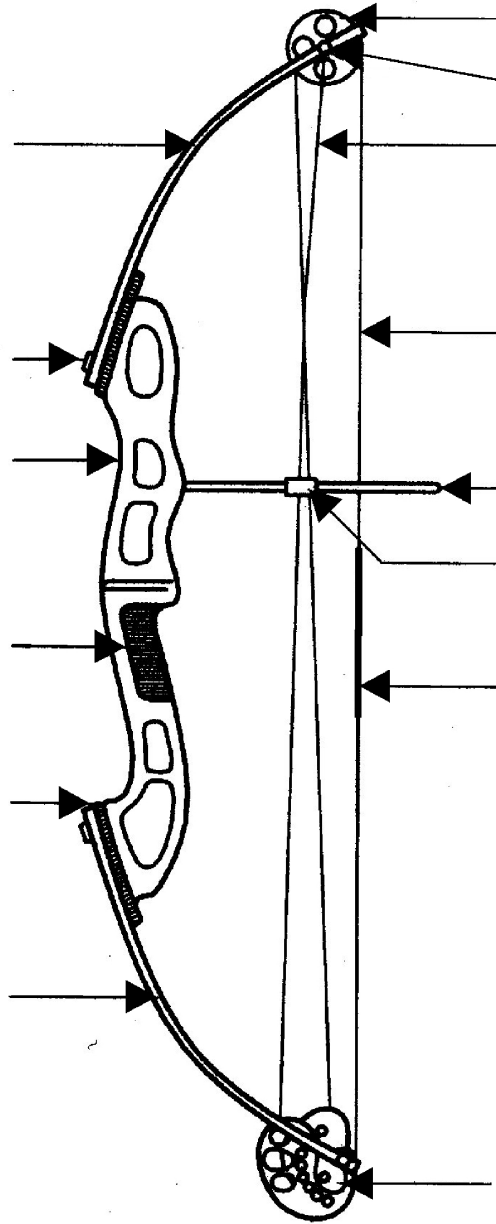
163. Using the following words label the picture, with the letters.

- a. String
- b. Cable
- c. Riser
- d. Upper Limb
- e. Serving
- f. Grip
- g. Axle
- h. Cam
- i. Idler Wheel
- j. Limb Bolt
- k. Lower Limb
- l. Limb Pocket
- m. Cable Guard
- n. Cable Guard Slide



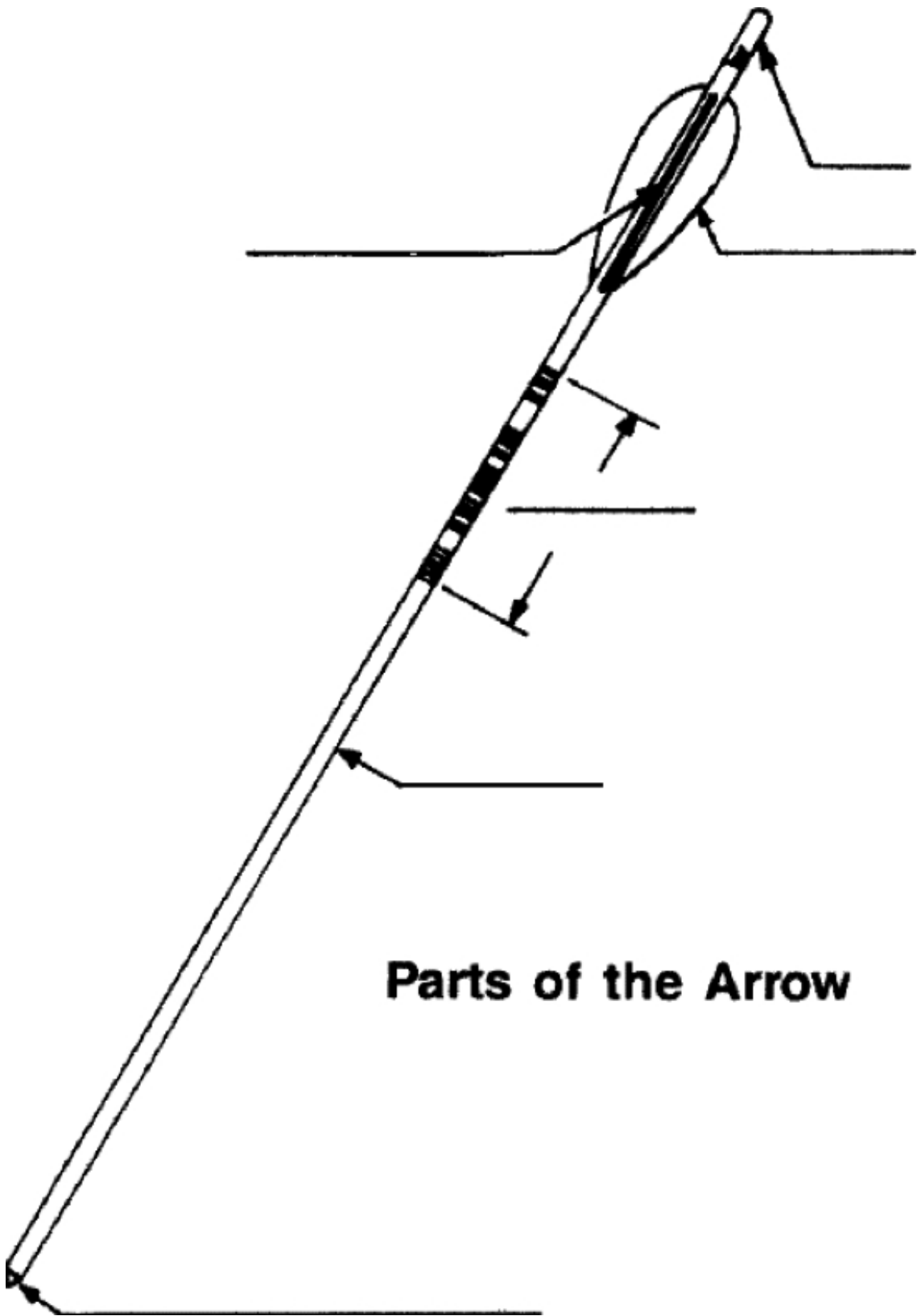
Parts of a modern compound bow

164. Label the picture



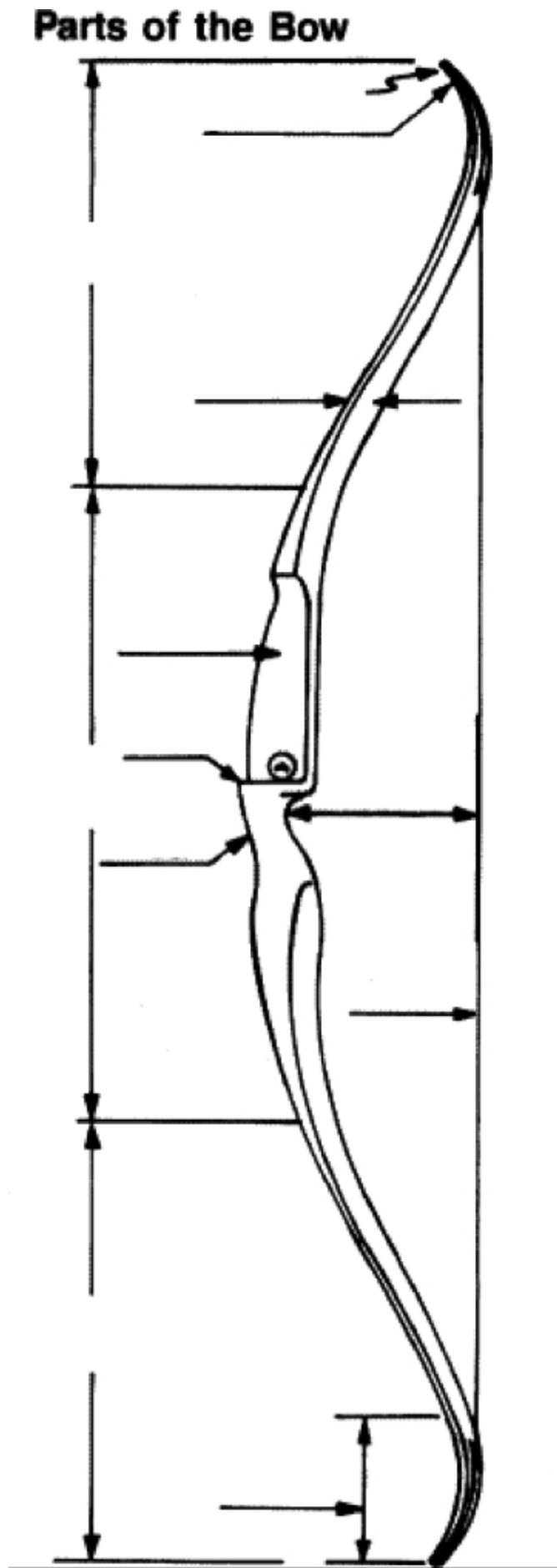
Parts of a modern compound bow

165. Label the picture

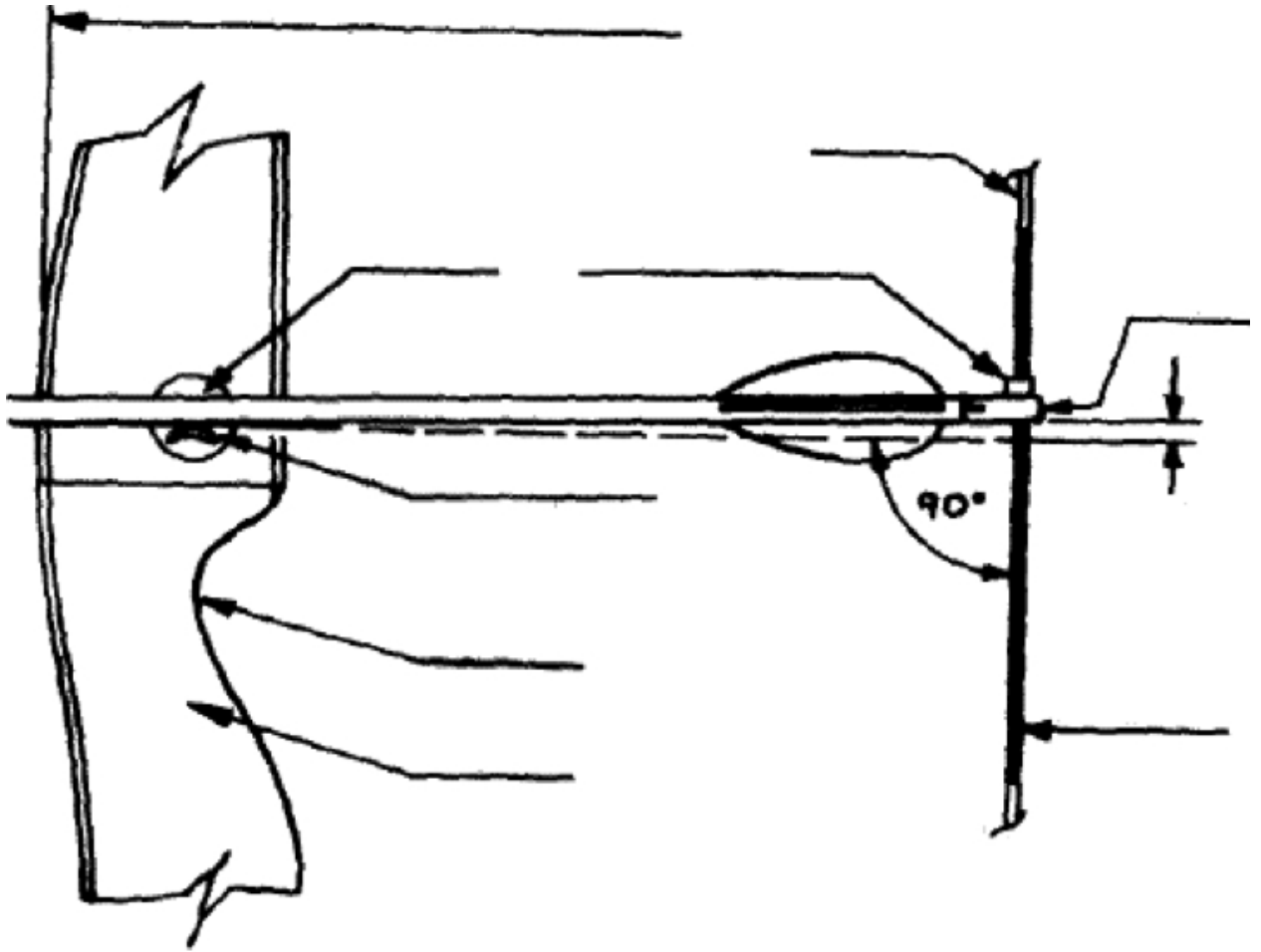


Parts of the Arrow

166. Label the picture



167. Label the picture



Proper placement of the arrow on the bow

168. The End